

# BRIDGE 170/210/240/280/330/400

Mario Giannetti



pivoettante  
pivoting



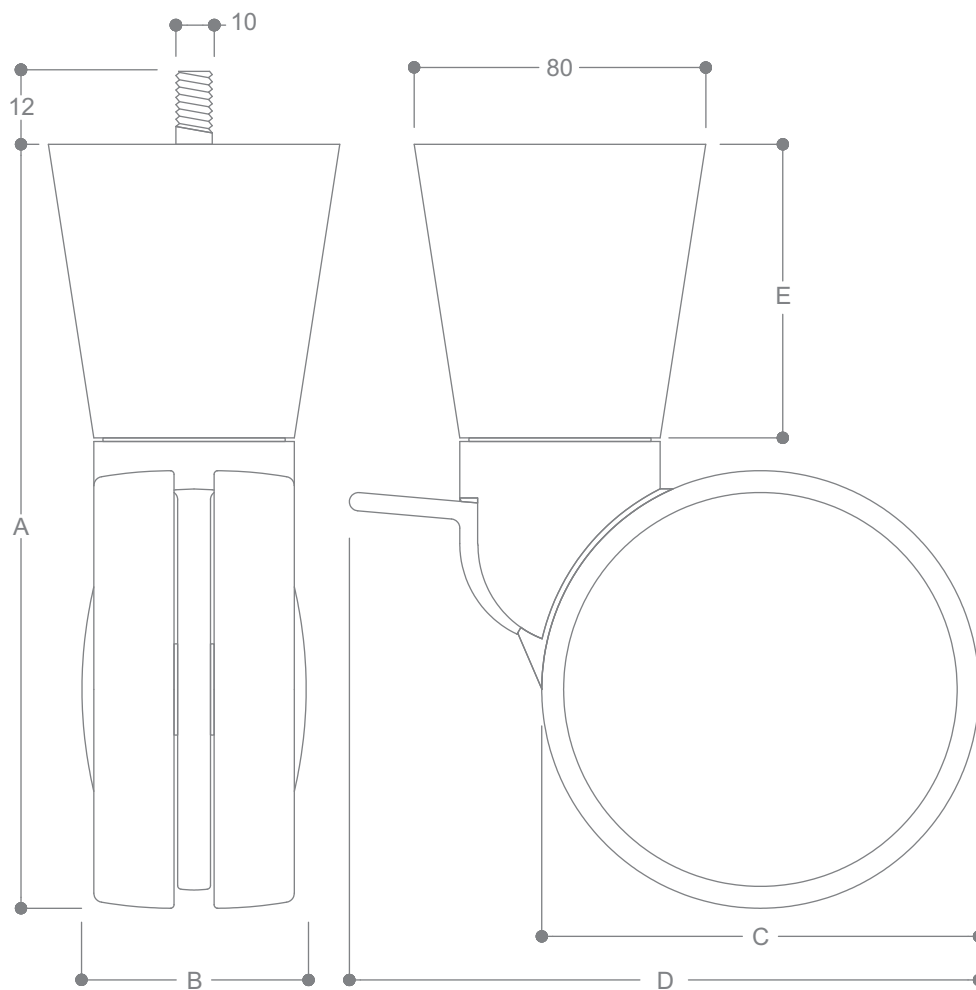
portata kg  
max load kg



antitraccia  
non marking



antirumore  
no noise



## MISURE/DIMENSION

170 210 240

A 170 210 240

B 60 60 60

C 120 120 180

D 174 174 195

E 40 80 40

## MISURE/DIMENSIONS

280 330 400

A 280 330 400

B 60 60 60

C 180 120 180

D 195 174 195

E 80 200 200